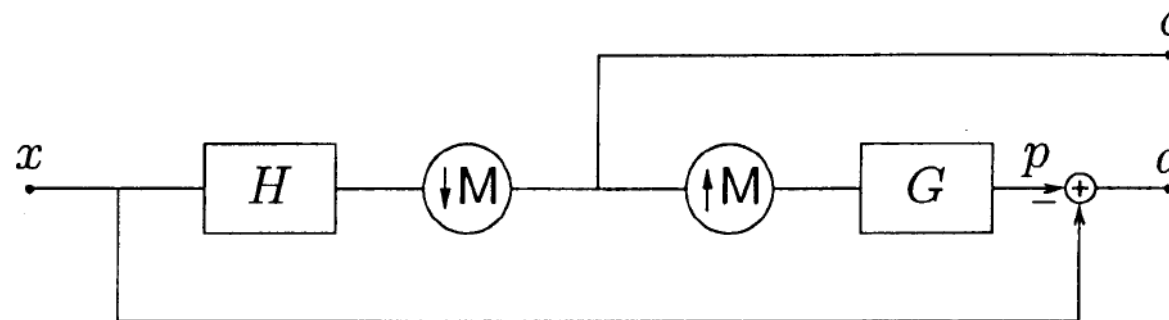
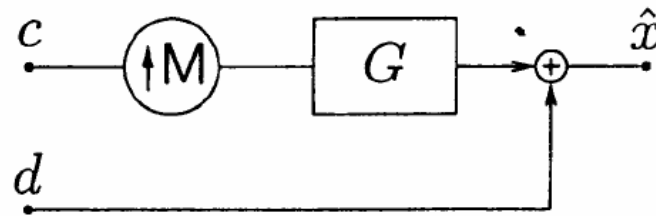


Laplacian pyramid: decomposition



Laplacian Pyramid: reconstruction

classical



Do and Vetterli

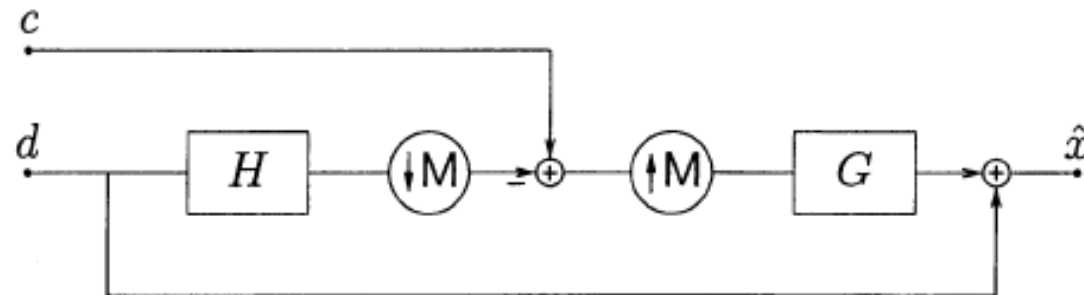


Fig. 3. Proposed reconstruction scheme for the Laplacian pyramid in Fig. 1(a). It is the pseudo inverse when the filters are orthogonal.